

CAT® CT660, CT680, CT681

» TRUCK SPECIFICATIONS



Cleveland Brothers





CT660

Engine Model	Cat® CT13 Engine
Horsepower @ 1700 rpm	365 - 475 hp
Bumper to Back of Cab	116 in. and 122 in.
Bumper to Front Axle	54 in. (Set-Back Axle)

Delivering all of the power, performance and durability you need, the CT660 is loaded with the features and options you want in a next-generation dump truck, concrete mixer, waste carrier or heavy hauler. It's designed to maximize payloads, drive satisfaction and increase uptime in dozens of applications.



CT680

Engine Model	Cat® CT13 Engine
Horsepower @ 1700 rpm	410 - 475 hp
Bumper to Back of Cab	124 in.
Bumper to Front Axle	30 in. (Set-Forward Axle)

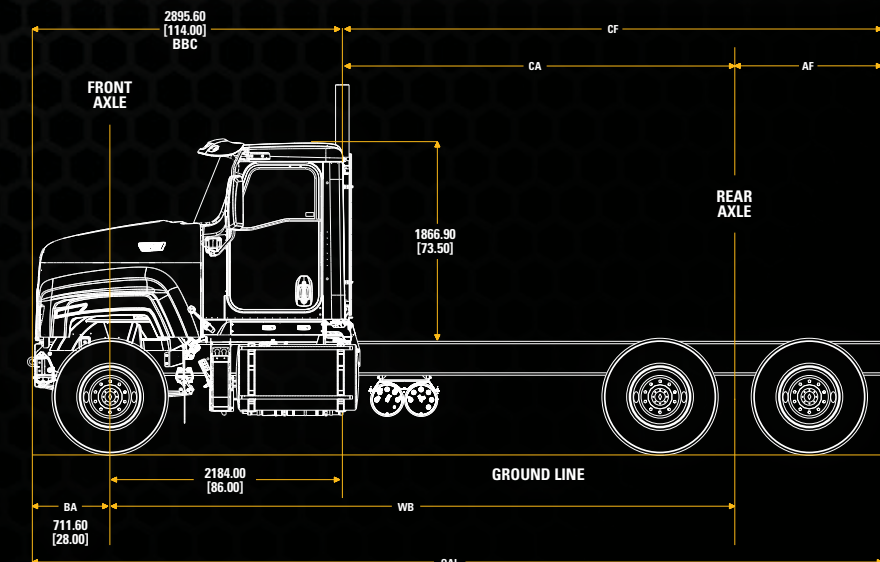
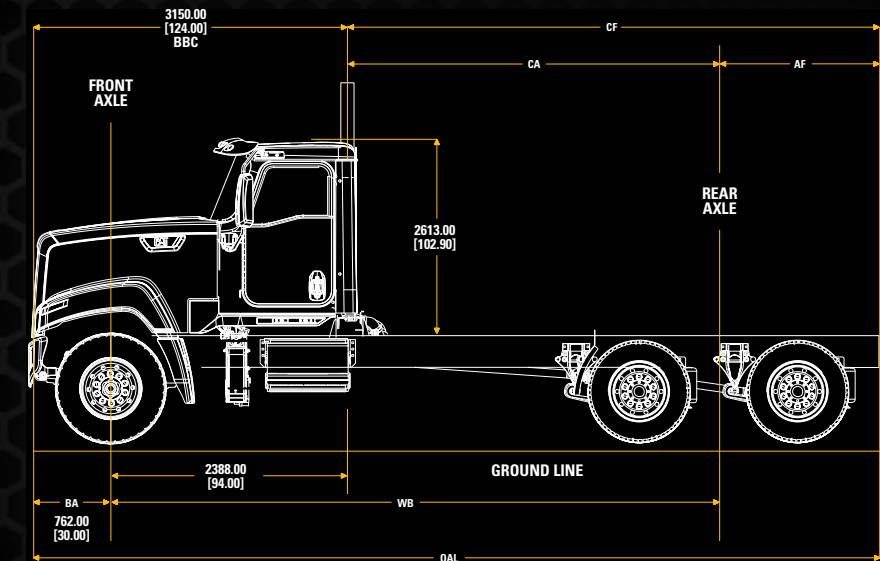
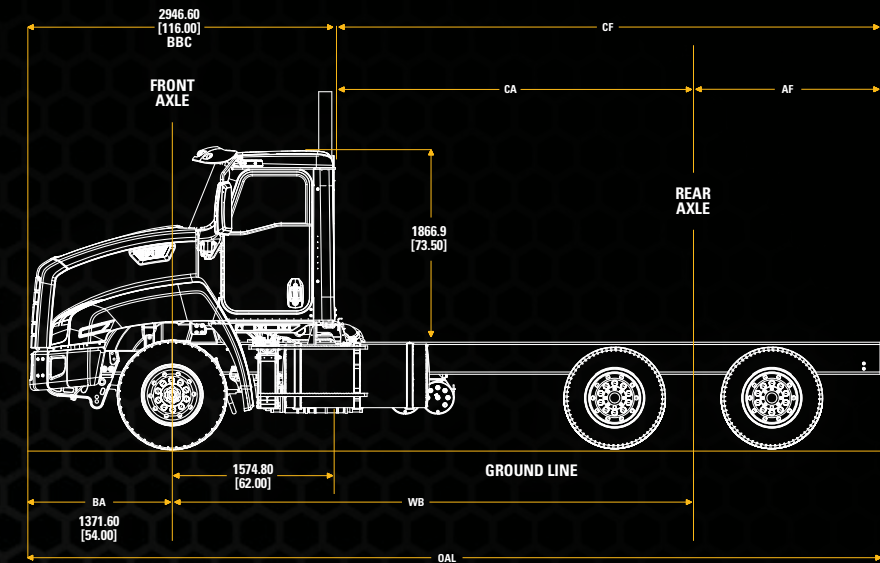
Stand up to heavy loads, tough jobs and harsh applications and do it all in style with the CT680. It features your choice of two exterior trim levels - L and LG - so you can customize your truck by choosing the features that best fit your style and serviceability needs. Plus, its set-forward axle, parabolic suspension, premium sound insulation and trim and spacious cab combine to set new standards for comfort and ride quality.



CT681

Engine Model	Cat® CT13 Engine
Horsepower @ 1700 rpm	365 - 430 hp
Bumper to Back of Cab	114 in.
Bumper to Front Axle	28 in. (Set-Forward Axle)

Ideal for carrying big loads and complying with bridge load restrictions, the set-forward axle on the CT681 boosts your productivity with a spacious, ergonomic cab and vocational-specific engine and transmission options. Mounting attachments is simple with the optional Front Frame Extension, giving you a vocational truck as heavy-duty as your application.





FOR MORE INFORMATION

VISIT CLEVELANDBROTHERS.COM/CATTRUCK OR TALK TO YOUR CLEVELAND BROTHERS REPRESENTATIVE TODAY TO LEARN MORE ABOUT THE CAT VOCATIONAL TRUCK LINE. JOIN US ONLINE TO STAY UP-TO-DATE ON THE LATEST CAT TRUCK AND INDUSTRY NEWS.



Cleveland Brothers



@CBEC_Cat



www.clevelandbrothers.com